

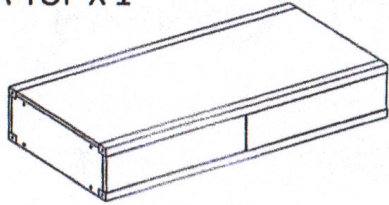
ASSEMBLY INSTRUCTION

5523XXX DESK

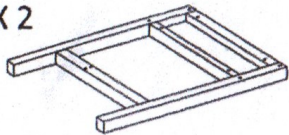
PART LIST

DO NOT FULLY TIGHTEN SCREWS AND NUTS UNTIL THE ENTIRE ITEM IS COMPLETELY ASSEMBLED

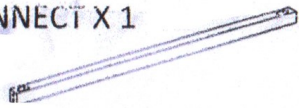
A-TOP X 1









B-LEG X 2

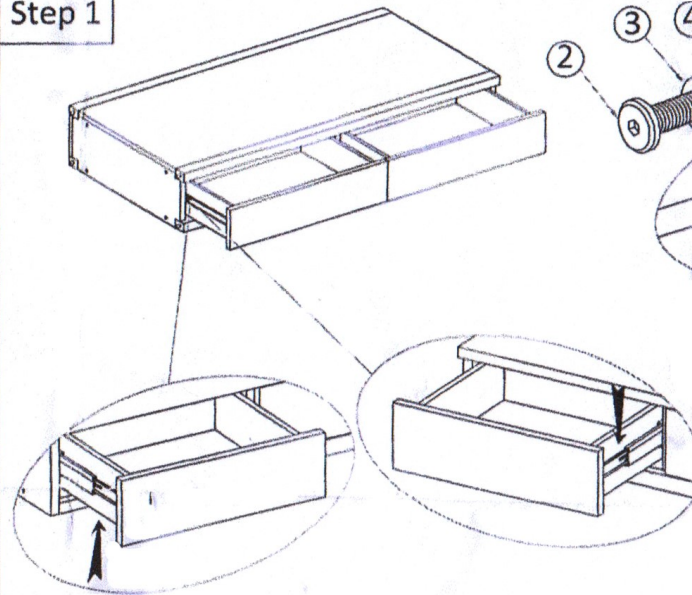


C-CONNECT X 1

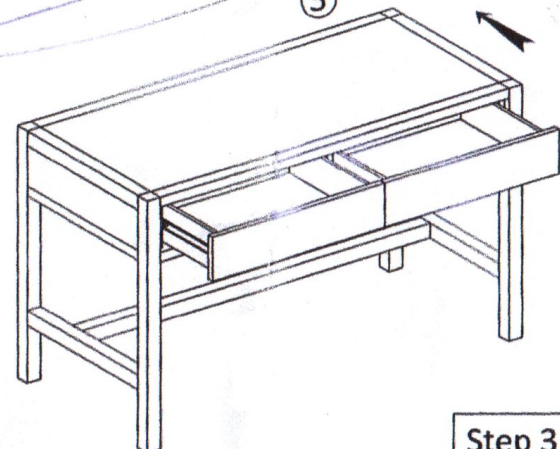
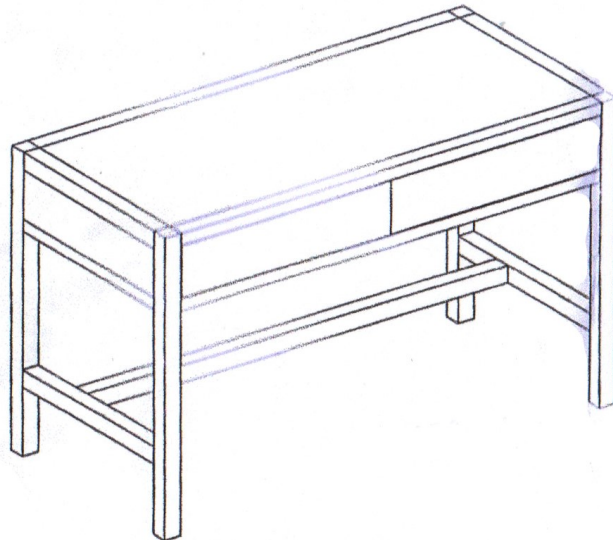
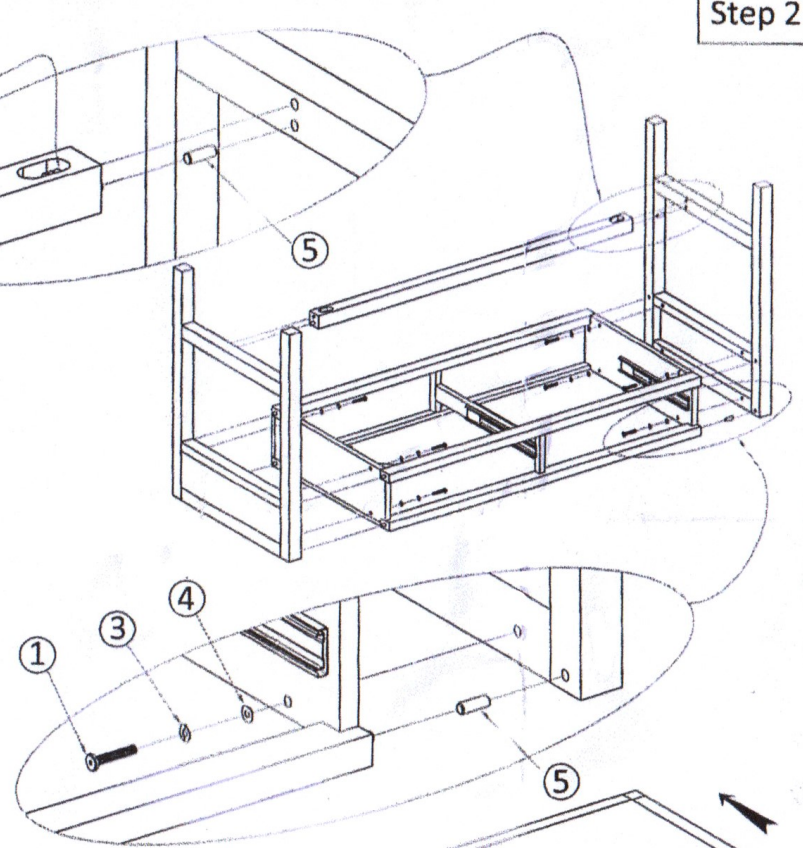


| Item | List of Hardware | Q.ty |
|------|---|------|
| ① | Bolt 8 X 35  | 8 |
| ② | Bolt 8 X 50  | 2 |
| ③ | Lock washer  | 10 |
| ④ | Flat washer  | 10 |
| ⑤ | Wooden  | 10 |
| ⑥ | Allen key  | 1 |

Step 1



Step 2



Step 3